



KNIKMOPS

KM250



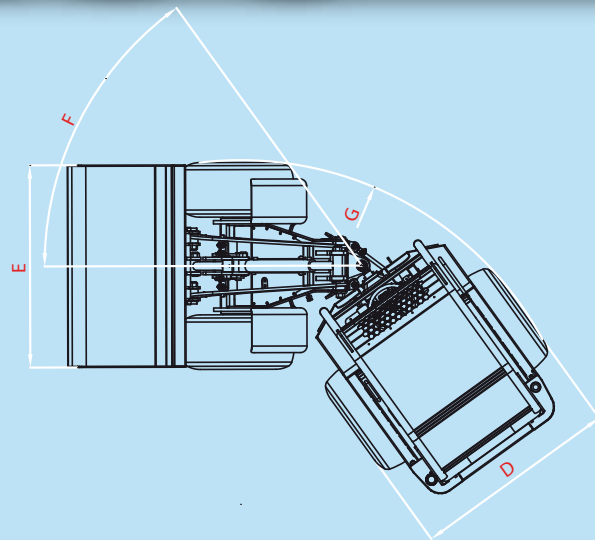
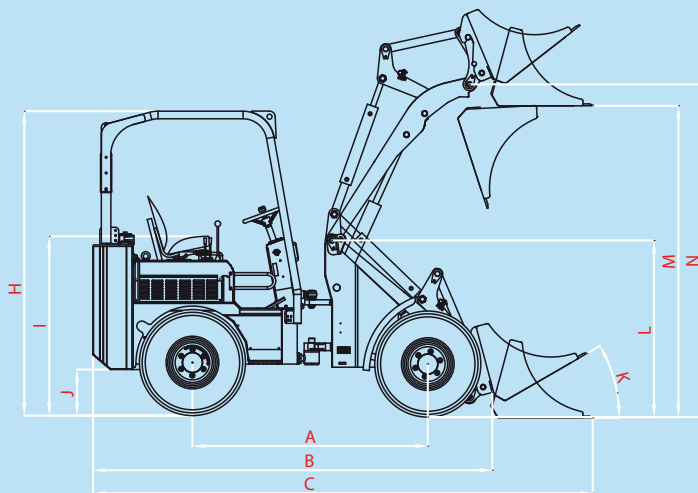
GEBROEDERS GEENS N.V. Industriezone De Kluis Hinnenboomstraat 5 B 2320 Hoogstraten
tel.:+32(0)3/314 79 30 +32(0)3/297 29 30 fax:+32(0)3/314 84 56
info@knikmops.be



www.knikmops.be

TECHNICAL SPECIFICATION

KM250



			KM250	KM250H	KM250TE
A	[mm]	Wheelbase	1875	1875	1995
B	[mm]	Chassis length	3180	3400	3440
C	[mm]	Total length with shovel bucket	3980	4200	4270
D	[mm]	Overall width	1180/1520	1180/1520	1180/1520
E	[mm]	Shovel bucket width	1500/1700	1500/1700	1500/1700
F	[°]	Turning angle maximum	50	50	50
G	[mm]	Turning radius outside edge	2800	2800	2950
H	[mm]	Rollbar height / ROPS FOPS height	2220/2430	2220/2430	2220/2430
I	[mm]	Seat height	1425	1425	1425
J	[mm]	Ground clearance	360	360	360
K	[°]	Tipping-in angle from ground surface	30	30	30
L	[mm]	Frame height	1410	1715	1455
M	[mm]	Transfer height	2480	3020	2625/3380*
N	[mm]	Shovel bucket rotation point, maximum	2650	3190	2775/3550*
	[L]	Fuel tank capacity	60	60	60
		Diesel engine type (Kubota)	V2203	V2203	V2203
	[kw/hp]	Engine power	36/49	36/49	36/49
		Number of cylinders	4	4	4
		Drive hydraulics	Plungerpomp	Plungerpomp	Plungerpomp
		Wheeldrive	Plungermotor	Plungermotor	Plungermotor
	[L/min]	Output of work hydraulics	62	62	62
	[bar]	Pressure of work hydraulics	180	180	180
	[kg]	Service weight without attachment	2380	2570	2750
	[kg]	Lifting force	1800	1500	1700
	[kg]	Breakout force	1900	1600	1800
	[km/h]	Topspeed	10/20	10/20	10/20

Telescopic arm in / Telescopic arm out*

	1	2	3	4	5	6	7
KM250 not buckled	1920	1800	1730	1600	2730	2580	2130
with a counterweight 100 kg	1920	1800	1730	1600	2730	2640	2170
KM250 30° buckled	1920	1800	1730	1550	2730	2320	2020
with a counterweight 100 kg	1920	1800	1730	1600	2730	2540	2000
KM250H not buckled	1650	1500	1300	1000	2130	2050	1800
with a counterweight 100 kg	1650	1500	1300	1000	2130	2050	1850
KM250H 30° buckled	1650	1500	1250	1000	2130	2050	1600
with a counterweight 100 kg	1650	1500	1300	1000	2130	2050	1650

