

# KNIKMOPS

# KM 170-180



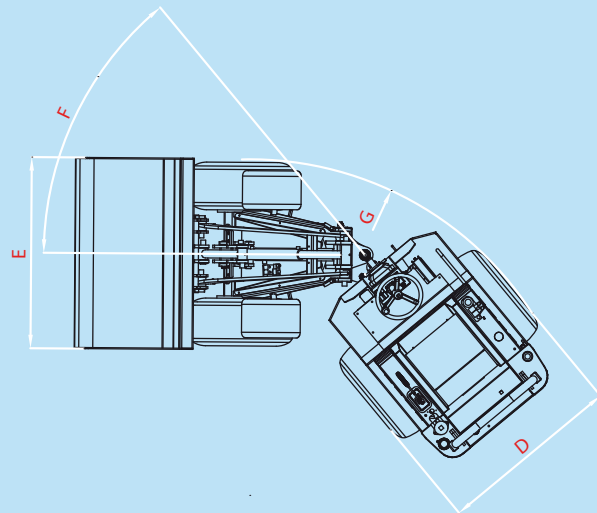
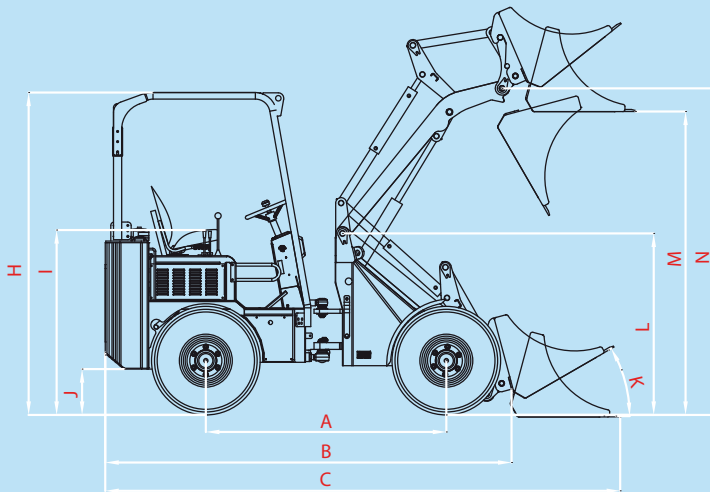
GEBROEDERS GEENS N.V. Industriezone De Kluis Hinnenboomstraat 5 B 2320 Hoogstraten  
tel.:+32(0)3/314 79 30 +32(0)3/297 29 30 fax:+32(0)3/314 84 56  
info@knikmops.be



[www.knikmops.be](http://www.knikmops.be)

# TECHNICAL SPECIFICATION

# KM170-180



|   |         |                                       | KM170        | KM180        |
|---|---------|---------------------------------------|--------------|--------------|
| A | [mm]    | Wheelbase                             | 1770         | 1770         |
| B | [mm]    | Chassis length                        | 2990         | 2990         |
| C | [mm]    | Total length with shovel bucket       | 3800         | 3800         |
| D | [mm]    | Overall width                         | 1135/1400    | 1135/1400    |
| E | [mm]    | Shovel bucket width                   | 1400/1500    | 1400/1500    |
| F | [°]     | Turning angle maximum                 | 50           | 50           |
| G | [mm]    | Turning radius outside edge           | 2760         | 2760         |
| H | [mm]    | Rollbar height / ROPS FOPS height     | 2300/2380    | 2300/2380    |
| I | [mm]    | Seat height                           | 1340         | 1340         |
| J | [mm]    | Ground clearance                      | 335          | 335          |
| K | [°]     | Tipping-in angle from ground surface  | 30           | 30           |
| L | [mm]    | Frame height                          | 1335         | 1335         |
| M | [mm]    | Transfer height                       | 2230         | 2230         |
| N | [mm]    | Shovel bucket rotation point, maximum | 2405         | 2405         |
|   | [L]     | Fuel tank capacity                    | 45           | 45           |
|   |         | Diesel engine type (Kubota)           | V1505        | V1505T       |
|   | [kw/hp] | Engine power                          | 26/36        | 33/45        |
|   |         | Number of cylinders                   | 4            | 4            |
|   |         | Drive hydraulics                      | Plungerpomp  | Plungerpomp  |
|   |         | Wheeldrive                            | Plungermotor | Plungermotor |
|   | [L/min] | Output of work hydraulics             | 50           | 50           |
|   | [bar]   | Pressure of work hydraulics           | 180          | 180          |
|   | [kg]    | Service weight without attachment     | 1750         | 1800         |
|   | [kg]    | Lifting force                         | 1400         | 1400         |
|   | [kg]    | Breakout force                        | 1500         | 1500         |
|   | [km/h]  | Topspeed                              | 18           | 20           |

|                             | 1    | 2    | 3    | 4   | 5    | 6    | 7    |
|-----------------------------|------|------|------|-----|------|------|------|
| KM170 not buckled           | 1700 | 1550 | 1200 | 900 | 2000 | 1500 | 1200 |
| with a counterweight 100 kg | 1700 | 1550 | 1200 | 950 | 2000 | 1500 | 1200 |
| KM170 30° buckled           | 1600 | 1500 | 1000 | 800 | 2000 | 1300 | 1100 |
| with a counterweight 100 kg | 1700 | 1550 | 1150 | 850 | 2000 | 1450 | 1150 |
| KM180 not buckled           | 1700 | 1550 | 1200 | 900 | 2000 | 1500 | 1200 |
| with a counterweight 100 kg | 1700 | 1550 | 1200 | 950 | 2000 | 1500 | 1200 |
| KM180 30° buckled           | 1600 | 1500 | 1000 | 800 | 2000 | 1300 | 1100 |
| with a counterweight 100 kg | 1700 | 1550 | 1150 | 850 | 2000 | 1450 | 1150 |

